



ELLA MICROBUBBLE THERAPY PET SPA **OWNERS MANUAL**



Customer Support 800.480.6850
Email: info@ellasbubbles.com

ellasbubbles.com

Unpacking and Inspecting the Pet Spa

Upon receiving your Pet Spa, please inspect the crate and carton for any damages. If damages found please take few pictures of damages with your phone and record the details on the shippers delivery document and ask the driver to sign it. If you think the product may be damaged, note that on the delivery document and call **1-800-480-6850**. Damages must be recorded on shippers delivery documents for proper claim processing!

After inspecting the crate and accepting the product please unpack the crate. When the product is unpacked, please remove the access panels (2) and one (1) end panel before carrying the Pet Spa into the house. By removing the access panels you will be able to grab on to the frame to carry the tub. Do not lift the pet spa by the plumbing or any other parts. Inspect the plumbing or other parts that may have loosened in transit or by carrying the Pet Spa inside your home/garage.



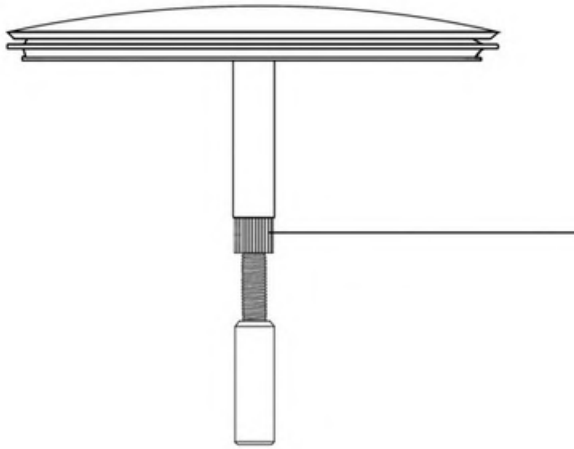
Access Panel (1 on Each Side)



End Panel

WARNING: Remove two (2) access panels and one (1) end panel before carrying the pet spa to prevent it from falling, breaking, and damaging loose components.

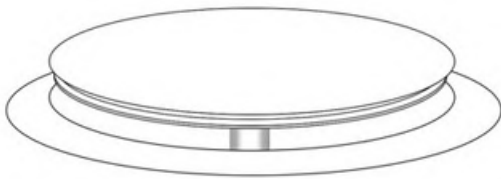
Pet Spa Drain Installation Warning



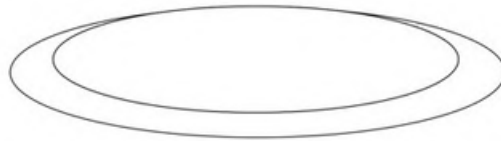
The screw from the drain plug gets adjusted and then you tight the backnut.

Backnut **MUST** be securely tightened. Failure to do so will cause loosening over time resulting in it coming apart and falling down the drain.

Drain open all the way



Drain closed completely



Drain must open completely to drain properly and close completely to avoid unnecessary drainage.

WARNING: Do not step on open drains! It will break the cable.

WARNING: Read through the entire manual completely before beginning installation.

Contract a licensed plumber and electrician for installation. Be sure you and your contractor are aware and follow all local plumbing and electrical codes. Your Ella Microbubble Therapy Pet Spa is not intended for outdoor use. Install the tub in accordance with the instructions in the manual. Use ONLY the parts and accessories provided or as recommended by the manufacturer.

CAUTION:

When using this product, basic precautions should always be followed. Read and follow all instructions pertaining to risk of fire, electric shock and injury. Make sure and have your licensed electrician test all connections to the dedicated line, including the GFCI. Risk of electric shock; Do not permit electric appliances within 3 feet (1.5m) of the tub. i.e.: hair dryers, lamps, phones, radios, televisions, etc. To reduce the risk of injury, do not permit children or persons with disabilities to use this product unless they are supervised by an able-bodied adult at all times. Never drop or insert any objects into any openings.

CAUTION:

Safety is one of our greatest concerns and that is why we use a Thermostatic Control Valve to regulate temperature output. Some plumbers and contractors recommend that home owners and installers reduce the temperature of their water heaters to save energy and prevent scalding. This isn't a recommendation we would give, and would guide you away from doing so.

According to the American Society of Heating, Refrigerating, and Air-Conditioning Engineers (ASHRAE®), water in a home system needs to be stored at 140°F (60°C) otherwise Legionella disease bacteria (LDB) is susceptible to growth.

Thermostatic Control Valve Operations Instructions Continued On Pages 11 & 12

Electrical:

The unit **MUST** be connected to a circuit protected by a ground fault circuit interrupter (GFCI) provided and installed by a licensed electrician and tested periodically (refer to instructions provided by GFCI manufacturer). Operating the pumps without first filling the bath to above the jets can cause permanent damage to your equipment. Push the GFCI "test" button into "reset" mode. If the GFCI fails to operate in this manner, there is a ground current flow or a device malfunction, indicating the possibility of electrical shock. If this occurs, turn OFF the power and do not use the bathtub until the source of the problem has been identified and corrected.

NOTE: One (1) 120V GFCI 20AMP breaker/dedicated line to plug in a single connection.

Water Test:

It is important to test that the Microbubble Therapy System is functioning properly before final in-wall installation to avoid unnecessary repairs or removal.

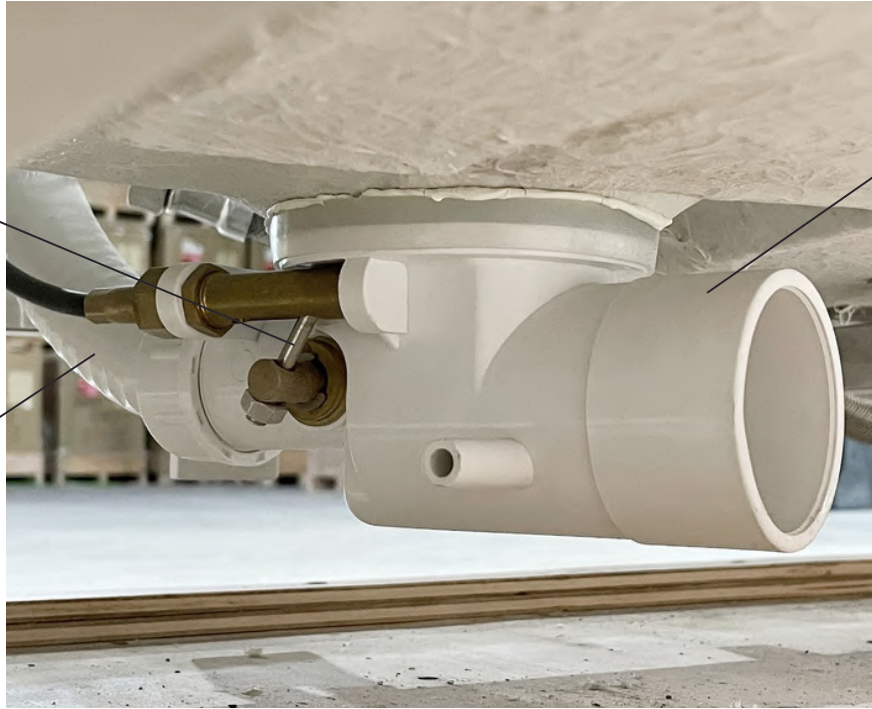
- A.** Place the tub on a completely flat surface in an area where it may be drained after testing.
- B.** Using a clean rag and warm water wipe down seal to insure it is free of debris.
- C.** Seal the drains (this can be done with tape) and fill the tub to at least three inches above the highest jet, or to the bottom of the grab bar if no jets are present.
- D.** Allow the water to stand in tub for 30 minutes and then inspect all plumbing and seals for leaks.
- E.** Using appropriately rated three-prong extension cords, all plugged in to separate outlets, operate all electrical components if applicable for another 30 minutes and inspect for leaks again.

2" PVC drain connected via PVC glue to a 2" drain pipe

Cable Operated
Lever

2" PVC Coupling

Overflow PEX
Tubing



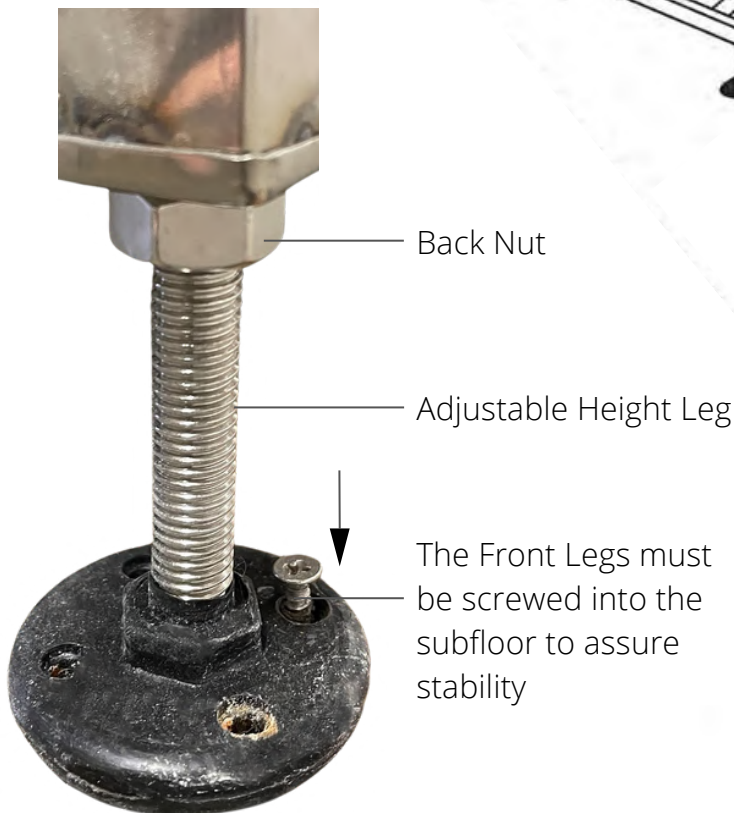
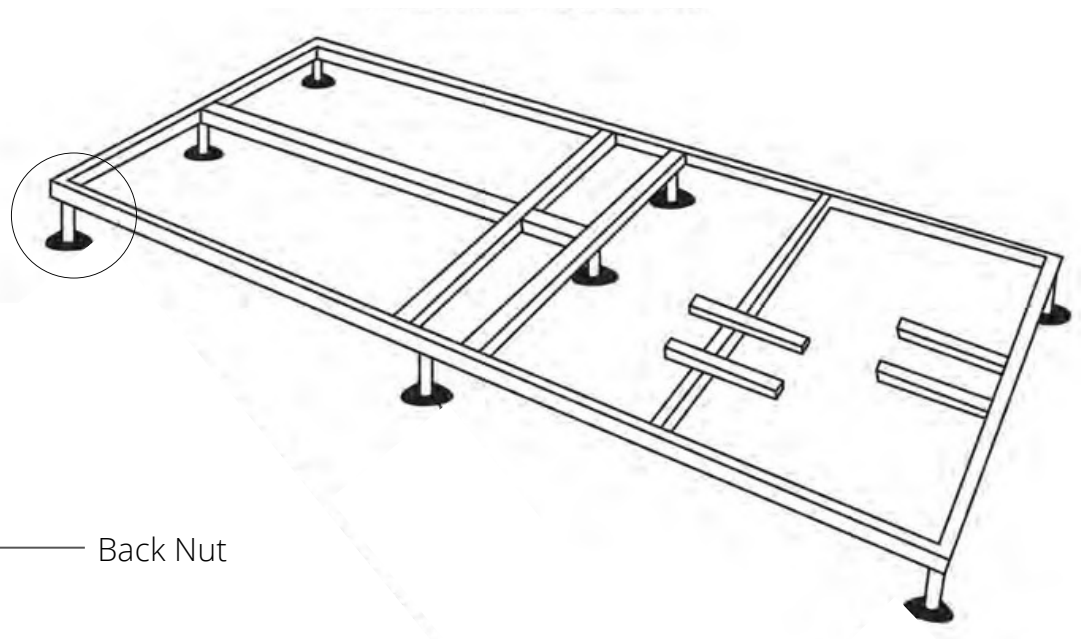
Overflow PEX
Tubing



Your walk in bathtub has been tested and leveled properly before leaving our facility. Our Microbubble Pet Spa have been set on a perfectly level surface to ensure no leaks and proper door closing. It is up to your installer to test and make any adjustments necessary to ensure that all leveling legs support the tub frame and that the door is aligned correctly to prevent any leaks. The door must close smoothly to create a water tight seal. If the tub is not perfectly leveled, it may cause frame and shell warping which can cause changes in door alignment resulting in water leakage and void the warranty.

Extending or shortening the legs will help correct any alignment issues to close the gap between the door and the frame. Please call **1-800-480-6850** immediately if any issues arise or if you have any concerns.

A closer view of the leg is shown below



Note: Graphic above does NOT reflect the actual frame.

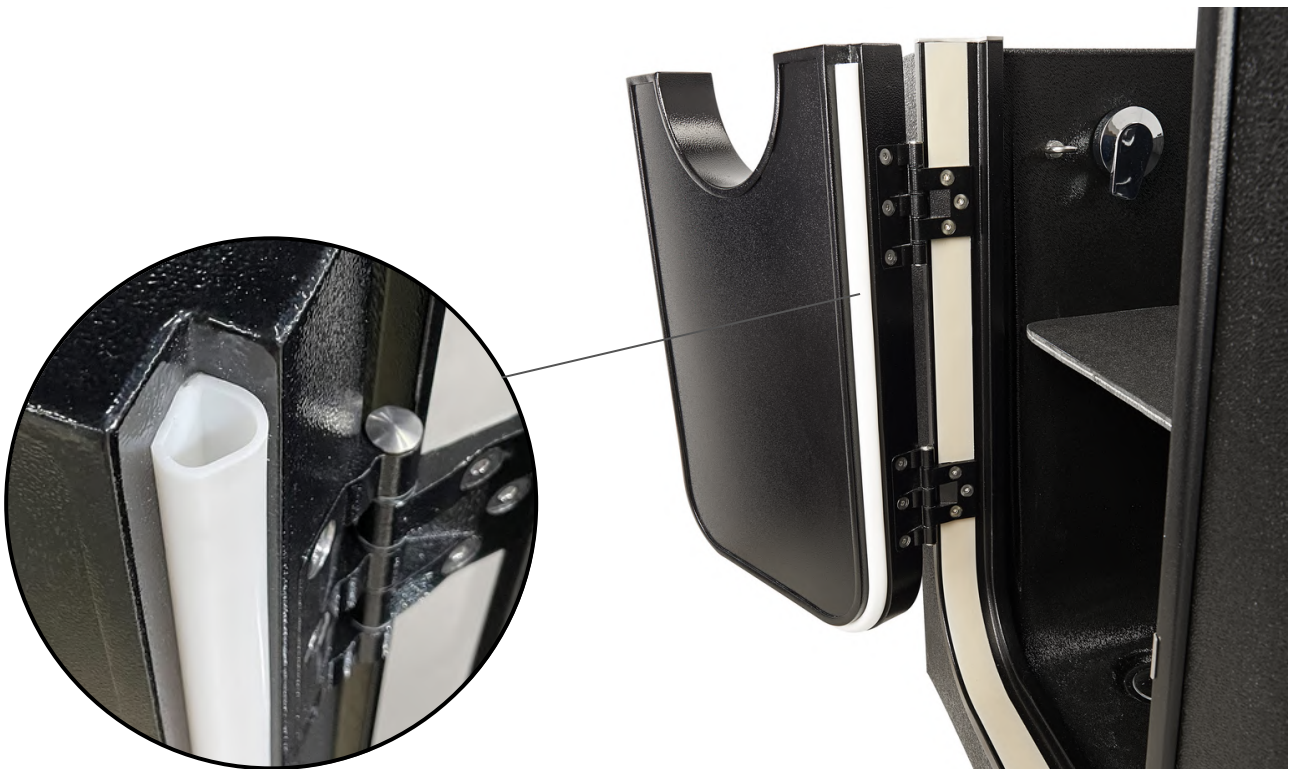
Warning: Make sure all legs are leveled and that they touch/sit on the floor evenly.

It is the responsibility of the installer or owner to provide access for service required, per code. Ella is not responsible for any costs related to obtaining access for repair. The owner shall assume responsibility for such costs, and if appropriate, must seek recovery from the installer.

Do not insulate around the tub equipment. The tub, frame and all parts have been engineered to provide the proper ventilation. Any obstructions may cause the pumps or other electrical components to overheat.

Door Seal

Please keep in mind that the door has been closed for an extended period of time throughout shipping and the bathtub has been stored in various temperatures. It is possible for the silicone seal to stick to the frame when stored for extended periods of time. When the bathtub is received, the door seal should be checked for deformations from shipping and re-formed and adjusted where necessary. To restore the door seal, the seal must be released and allowed to relax with the door open. This is done by squeezing the seal with your finger tips and pulling it away from the door frame to regain its flexibility and original form. It is recommended that the door be kept open when not in use to increase the lifetime of the door seal and maintain its flexibility.



What is a Thermostatic Control Valve:

The purpose of a Thermostatic Control Valve (TCV) is to regulate the temperature of water before it reaches your sink or bathtub faucet. A TCV ensures constant temperature of water by blending hot water with cold water to prevent scalding or thermal shock. There are circumstances where inlet temperature and pressure are inconsistent and pose potential danger to a bather. Responding to these variations in temperature and pressure is the only way to ensure maximum safety.

Thermostatic Control Valve Features:

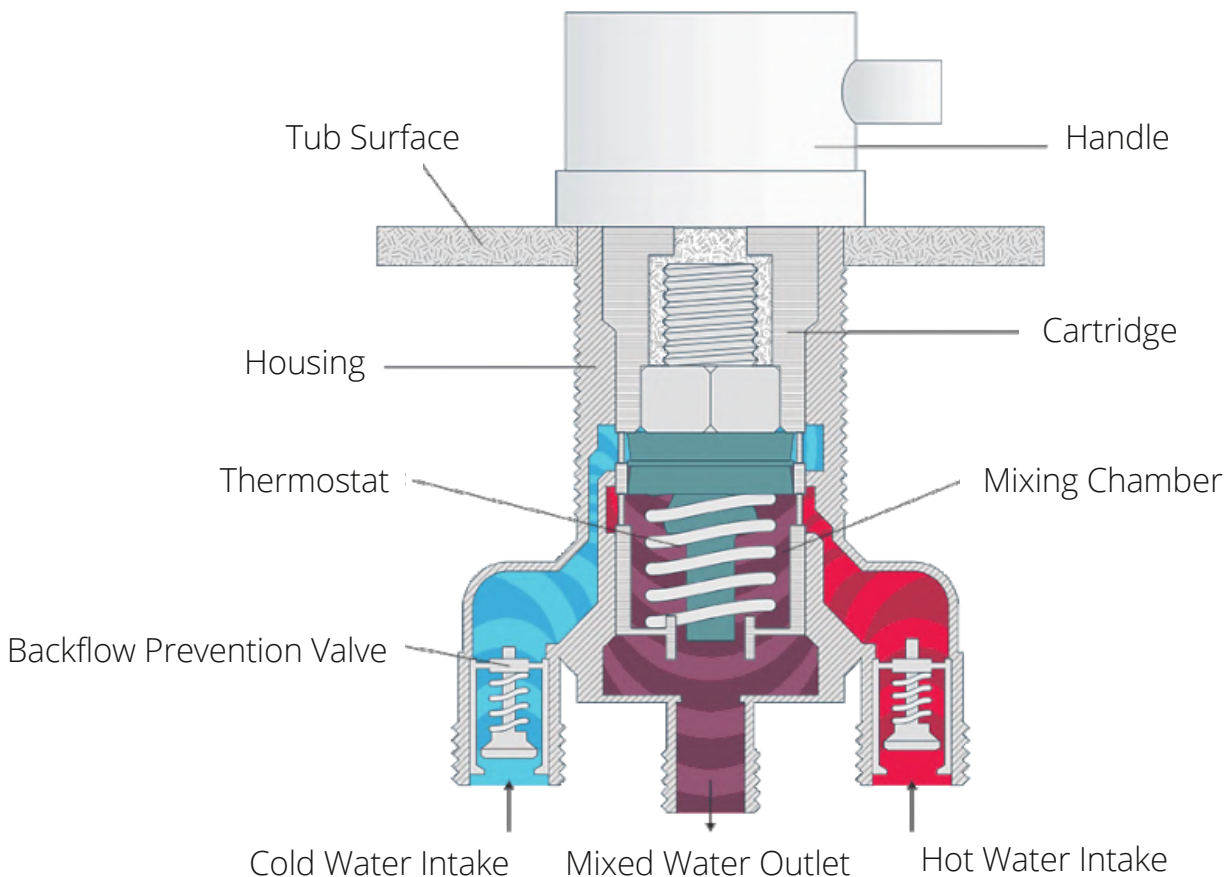
- Adjustable water temperature preset
- No water temperature fluctuation at the faucet
- Prevents scalding and thermal shock



How Does A Thermostatic Control Valve Work:

Before the use of tempered water in a bathtub, outlet temperature is adjusted by a thermostat in the mixing chamber of the valve. The thermostat automatically positions a seat assembly which controls the flow of hot and cold water supplied to the mixing chamber. If the mixed outlet temperature decreases, the cold water inlet port gets blocked by the seat assembly. That is adjusted by the contraction of the thermostat. On the contrary, if the mixed outlet temperature increases, the hot water inlet port gets blocked by the seat assembly. That is adjusted by the expansion of the thermostat. In both cases, outlet water temperature is fixed at a set point.

Note: Cleaning and replacement of TCV cartridge due to calcium or other particle buildup in water is the customer's responsibility. Ella's Bubbles will provide cleaning of the cartridges at no cost if they are shipped to Ella's Bubbles facility. For technical support, sales or to order a part call toll free **1-800-480-6850**.

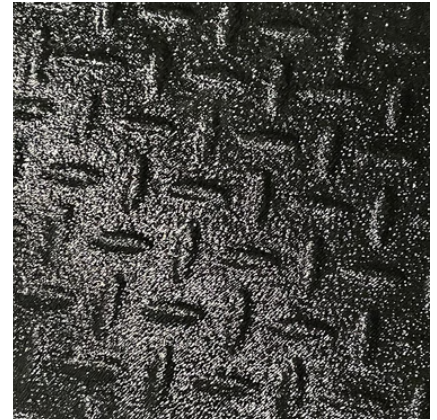




2" Single Drain



Two (2) Dog Chain Hooks



Textured Floor



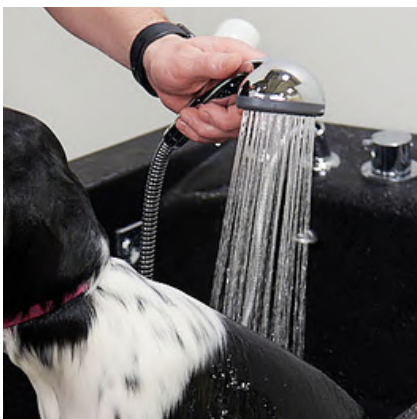
Removable Platform For Larger
or Smaller Sized Dogs



Aluminum Door with
Stainless Steel Hinges



Microbubble Hand Shower
with Ozone Sterilization



Hand Shower with a
Retractable Stainless Steel
Hose



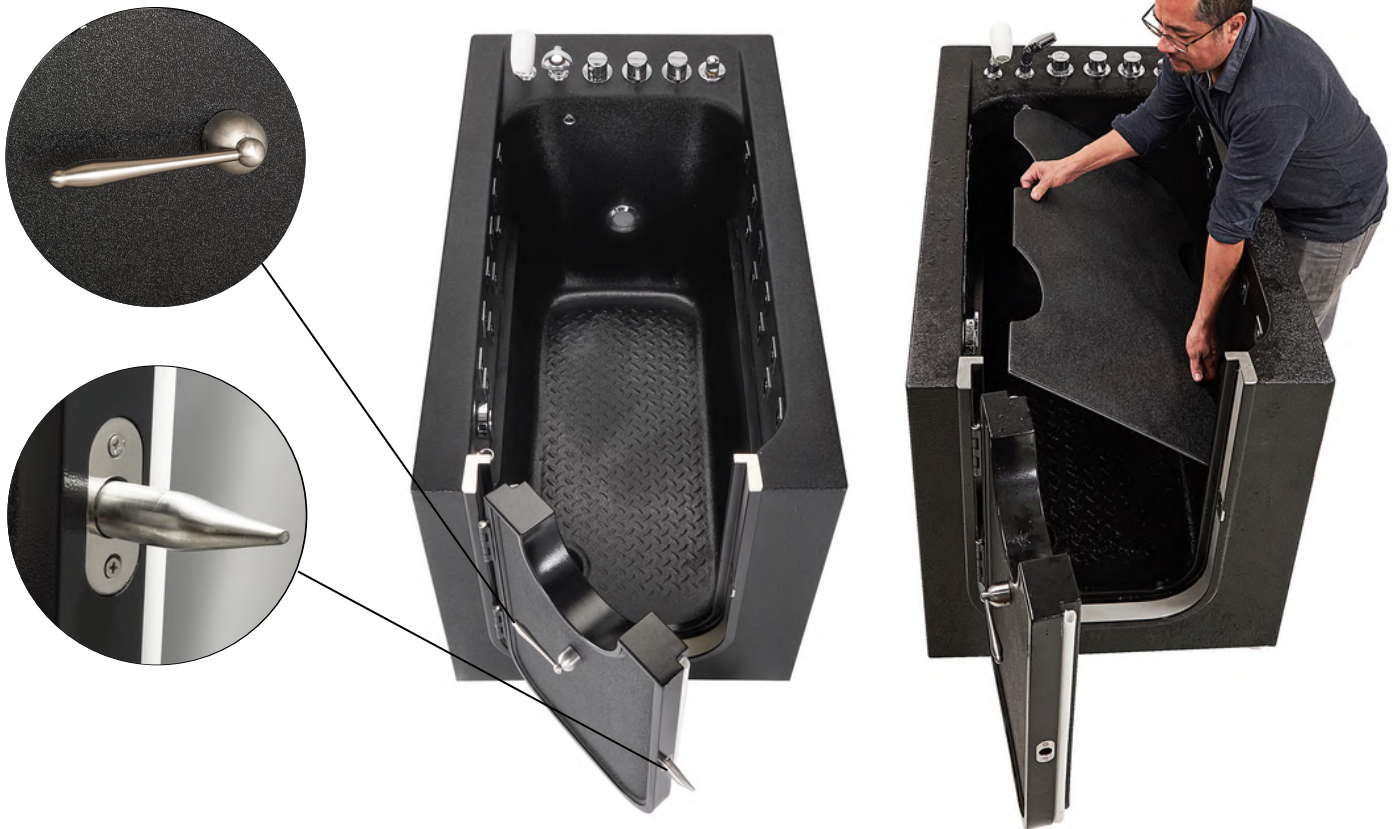
Twenty (20) Adjustable Sidewall
Jets - Ten (10) Jets Per Side



Interior LED Light (Turns on
with the Microbubble Hand
Shower Only)

1. Entering the Microbubble Therapy Pet Spa:

- The Pet Spa features an Aluminum composite outward-swing door with stainless steel hinges for added security. The handle is located on the outside of the tub, and is designed for an easy entry/exit.
- A removable platform (41 1/4"L x 23"W) is included for small to medium sized dogs.
- Once your pet is in the tub, close the door and hook them up to the dog chain(s) for added security and safety. (2 dog hooks available)



2. Turning Water On and Adjusting Temperature:

- Open the drain by turning the handle clockwise, and close the drain by turning counter-clockwise.
- Turn the water on by rotating the TCV. The temperature can be adjusted by turning the valve to the left for cold water, and to the right for warm water. (See Image on the Right)

Thermostatic Control Valve (TCV)



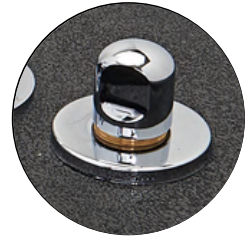
3. Hand Shower:

- To use the hand shower, turn the second lever to the right. (See Image 1)
- To use the hand shower AND the side wall jets, turn the diverter clockwise. (See Image 2)
- To turn the hand shower off, turn the second lever to the left.

Image 1



Image 2



Note: The side wall jets can be used on their own, with the hand shower, and with the Microbubble hand shower.

Give your pet the best skin treatment with Microbubble Therapy! These oxygen-filled bubbles can provide a moisturizing, exfoliating, and a therapeutic experience all while detoxifying and relieving skin related issues.

4. Microbubble Therapy Hand Shower:

- To use the Microbubble hand shower, turn the third lever to the left
- To use the Microbubble hand shower AND the side wall jets, turn the diverter clockwise (See Image 2)
- To turn off the Microbubbles, turn the third lever to the right



Note: The LED light will automatically turn on when the Microbubble hand shower is on. (See LED Light Image on Page 12)

Microbubble Therapy Benefits:

- Microbubbles can deeply clean the skin by penetrating into the pores and removing dirt, impurities, and bacteria.
- There will be no need for extra soap or detergents.
- The energy generated during the explosion of microbubbles can heat up the deep layer of the dog's body and can keep it warm for a long time to improve all kinds of pains.
- Microbubbles can keep your pet's skin clean and smooth even after the Microbubble Therapy experience is over.





Ella Acrylic Walk In Bath Warranty Information

This limited lifetime warranty is extended to the first purchaser to be free from defects in workmanship and material under normal use and conditions from the date of the original purchase. This warranty is nontransferable and applies only to the original owner and to the original installation place – address only and does not extend to products previously used as display models or products that have been modified or repaired by anyone else but Ella's Bubbles. The warranty is void if the ownership or original installation location is changed (tub is relocated). This warranty relates to all fittings and components included with the tub from the manufacturer. The bathtub shell, frame, door seal, and finish are covered by limited lifetime warranty. The door is covered by a limited lifetime warranty under normal use and conditions. All supporting equipment, motors, pumps, fixtures, electronic controls, faucet, waste, overflow, and all plated finishes, are covered by a limited five (5) year warranty. This warranty is nontransferable and applies only to the original owner. The finish warranty does not apply to fading, cracking, delaminating or blistering due to excessive wear, sun fading or scouring due to cleaning. This warranty shall not apply to any failure resulting from negligence, abuse, misuse, misapplication, alteration, or modification or improper maintenance. The door warranty is valid only if the alignment of the door is not changed by applying pressure or user's weight hold user's weight to the door or by wrong installation. The door is designed to hold its own weight and not designed to hold user's weight. Should service be required for any reason of any defect or malfunction of the product during the first five years, Ella's Bubbles will ship the part to the original customer's address without charge (subject to verification of the defect or malfunction). Ella's Bubbles will not be liable for any incidental expenses or material charges in connection with removal or replacement of the product or parts. Delivery time is based on parts availability and location. Normally parts are sent out immediately. Emailed or mailed photos of defective product and description of the problem is required. defective product and description of the problem is required.

All mailing notification must be sent via certified mail to:

Ella's Bubbles, LLC.

2101 S. Carpenter Street Chicago, IL 60608

Email: info@ellasbubbles.com

The Manufacturer will not be responsible for any water damage to structures or property for any reason including but not limited to manufacturer defect or improper installation. Manufacturer will assume no responsibility for the loss of the system, inconvenience due to loss, damage to real or personal property or any other consequential damage. Manufacturer will not be liable for any incidental expenses or material charges in connection with removal or replacement of the purchased part or any part or parts of the system. This warranty shall not apply to any type of failure resulting from negligence, abuse, misuse, misapplication, improper installation, alteration or modification, chemical corrosion or improper maintenance. There will be a charge for replacement parts or replacement of the entire electrical unit of the defective unit is returned for any of the reasons listed above. Ella's Bubbles reserves the sole authority to make any type of warranties or representations concerning its products and will not be responsible for any warranties or representations made by any outside source including dealers, retailers, distributors or contractors. Ella's Bubbles does not warrant the installation of any of our products. Items include: all plumbing or electrical related connections, improper or negligent installation of the product. Alteration made of, or alterations or modifications made to the system, may cause the product or the system to malfunction. Such problems are not covered by warranty.

TO THE EXTENT PERMITTED BY LAW, ALL IMPLIED WARRANTIES INCLUDING THOSE OF MERCHANTABILITY AND FITNESS FOR A PARTICULAR PURPOSE ARE HEREBY DISCLAIMED.

Ella's Bubbles and seller hereby disclaim any liability for special, incidental, or consequential damages. Some states/provinces do not allow limitations on how long an implied warranty lasts, or the exclusion or limitation of special, incidental or consequential damages, so these limitations and exclusions may not apply to you. This warranty gives you specific legal rights. You may have other rights, which vary from state/province to state/province.

Disclaimer: Limited lifetime parts warranty does not apply to thermostatic control valve (TCV).

TCV warranty is (1) year limited warranty which does not cover cartridge malfunction due to contaminated water with calcium, iron or other found heavy particles in the water resulting in cartridge getting stuck and TCV not operating properly. The TCV must be protected with filter or mesh in the water lines which must be cleaned periodically. Ella's Bubbles offers cleaning service for the cartridges for a nominal fee: labor + shipping. The cartridge cleaning is done at Ella's Bubbles facility, or it can be done by the contractor hired by customer. The removal and cleaning of TCV should only be performed by a licensed and insured contractor or plumber following online instructions. Non-Ella brand faucets are not covered under this warranty. Please refer to their own original manufacturer's warranty.

Installer's Information

Name

Address City State Zip

Telephone / Email

Date / Signature

Upon completing the installation of an Ella Walk In Bath, the following Warranty Activation Form must be completed, signed by both the customer and installer, and returned to Ella's Bubbles, LLC. In order for the Warranty to be activated (faxed, scanned, or emailed, or hard copy mailed).

To be initialed by the installer(s)

- Tub is level in all directions and all support legs are touching the ground.
- Tub is installed on a dedicated GFCI protected circuit
- Frame of the tub has been properly grounded.
- Door Seal has been cleaned with rubbing alcohol to remove any dust or debris left over from construction.
- Temperature Control Valve operated on both hot and cold settings.
- Both diverters function properly.
- Hand Shower functions on all settings without leaking.
- All supply lines have been checked for leaks while both diverters are on.
- Drains open and close properly, and the locking nut has been tightened on both stoppers.
- Door seal is water tight after tub has been filled for a minimum of 20 minutes.
- After running for a minimum of 20 Minutes both the Hydro and Air Pumps are functioning properly and all connections to the pumps and jets are water tight.
- Chromatherapy Light and the Ozone Sterilization are working properly. (When the Ozone is on by itself it will make a light humming noise).
- All drain fittings have been checked for leaks while the tub is draining.
- Unit is installed with access to both plumbing and electrical connections.

Owner's Information

Name

Address City State Zip

Telephone / Email

Date / Signature

Model: _____

Serial Number: _____

Purchase Date: _____

Purchase Price: _____

Place of Purchase: _____

Contact Name: _____

Phone Number: _____

Copy of sales receipt must be included with
warranty activation forms.

To activate manufacturer's warranty, please complete both pages and use one of the options below to submit.

Via mail: Ella's Bubbles, LLC.

Warranty Department
2101 S. Carpenter St., Chicago, IL 60608

Via fax: 1-312-666-3551

Via email: warranty@ellasbubbles.com